

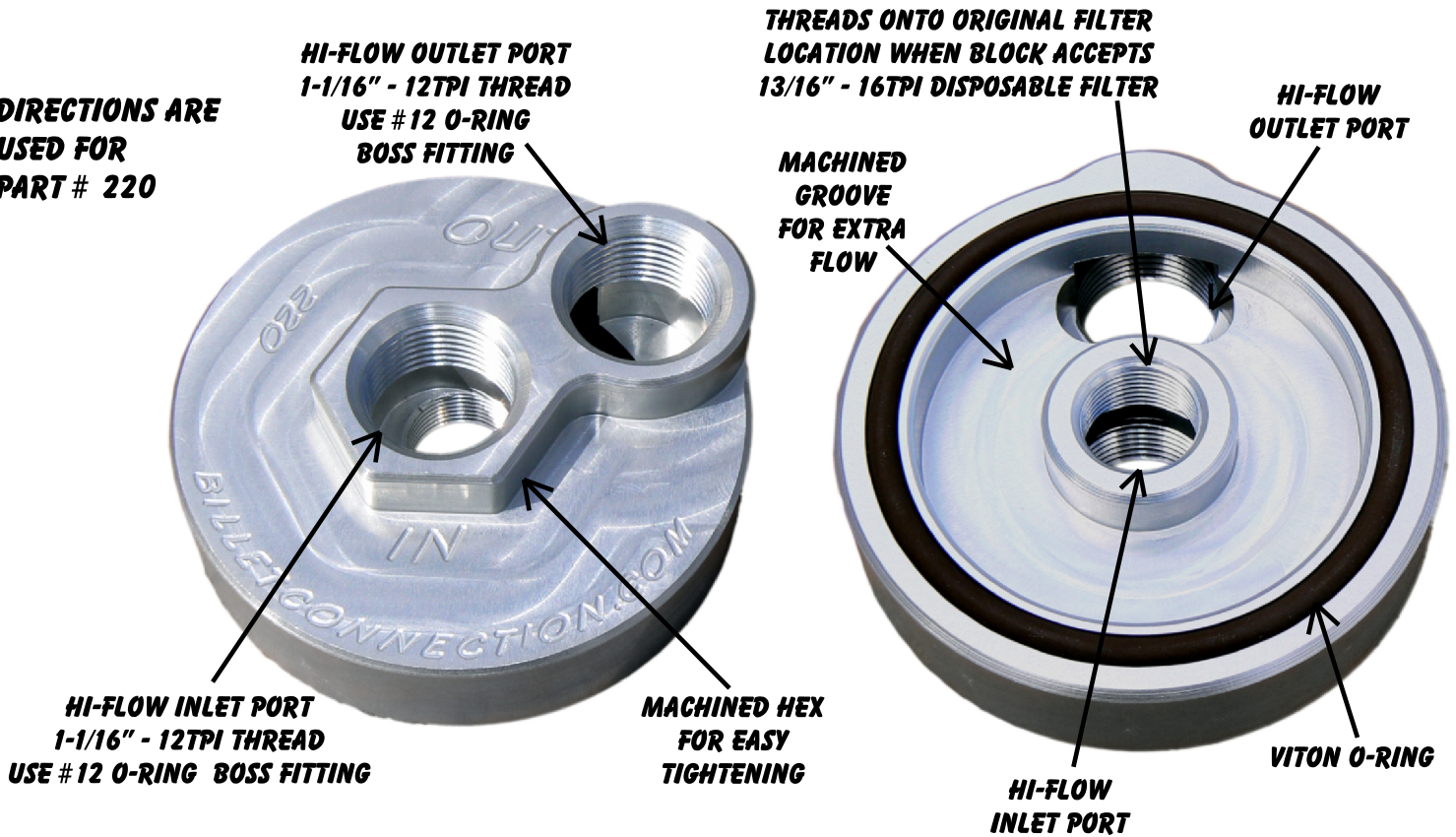
DIRECTIONS FOR CLEAR VIEW FILTRATION'S BLOCK ADAPTER KITS

USED ON CHEVY OIL COOLERS AND BB CHEVY GEN V/5, GEN VI/6, AND GEN VII/7 ENGINES

CLEAR VIEW FILTRATION'S ADAPTERS, THREAD ONTO THE BLOCK WHERE THE STOCK DISPOSABLE OIL FILTER USUALLY GOES. THESE ADAPTERS ADAPT THE BLOCKS STOCK OIL FILTER OUTLET AND INLET OIL FEED HOLES TO FLOW THROUGH THREADED # 12 OPENINGS IN THE BILLET ADAPTERS. ADAPTERS THREAD ON REPLACING THE DISPOSABLE FILTER. HEX NUT MACHINED INTO BLOCK ADAPTER FOR EASY INSTALLATION OR REMOVAL. YOU CAN ALSO INSTALL THE CENTER FITTING AND USE A SOCKET TO INSTAL THE ADAPTER TO THE BLOCK.

THE INLET AND OUTLET OPENINGS ARE ENGRAVED IN AND OUT. TO HOOK UP THE OIL LINES CORRECTLY, THE OUT OR OUTLET OPENING NEEDS TO BE HOOKED TO THE IN OR INLET OPENING OF THE REMOTE FILTER. THEN HOOK THE OUT OR OUTLET OF THE REMOTE FILTER TO THE IN OR INLET OPENING OF THE BLOCK ADAPTER. LOOK UP THE DISPOSABLE FILTER FOR APPLICATION TO MAKE SURE THE THREAD SIZE MATCHES THE ADAPTER

DIRECTIONS ARE USED FOR PART # 220



THE BLOCK ADAPTERS INLET AND OUTLET OPENINGS ARE THREADED TO 1 1/16" - 12 THREADS PER INCH, THIS THREAD USES A FITTING CALLED A #12 O-RING BOSS ON THE END THAT THREADS INTO THE BLOCK ADAPTER, THE OTHER END COMES IN DIFFERENT STYLES OF FITTINGS INCLUDING #10 IF THIS IS THE SIZE OF LINE WANTED TO BE USED.

RECOMMENDED FITTING FOR BLOCK ADAPTERS #12 O-RING BOSS TO A #12 JIC MALE FITTING.

PART # 220 ACCEPTS DISPOSABLE FILTER THREAD SIZE: 13/16" X 16 TPI

MAKE SURE TO OIL ALL O-RINGS ON THE BLOCK ADAPTER AND FITTINGS BEFORE INSTALL.

REPLACEMENT O-RING KIT AVAILABLE FOR THESE BLOCK ADAPTERS. PART # 221

CLEAR VIEW FILTRATION ALSO CARRIES FITTINGS & O-RINGS KITS NEEDED FOR BLOCK ADAPTERS.

CHECK OUT OUR WEBSITE CLEARVIEWFILTRATION.COM OR CALL 509-467-7584

FOR MORE PRODUCTS AND INFORMATION