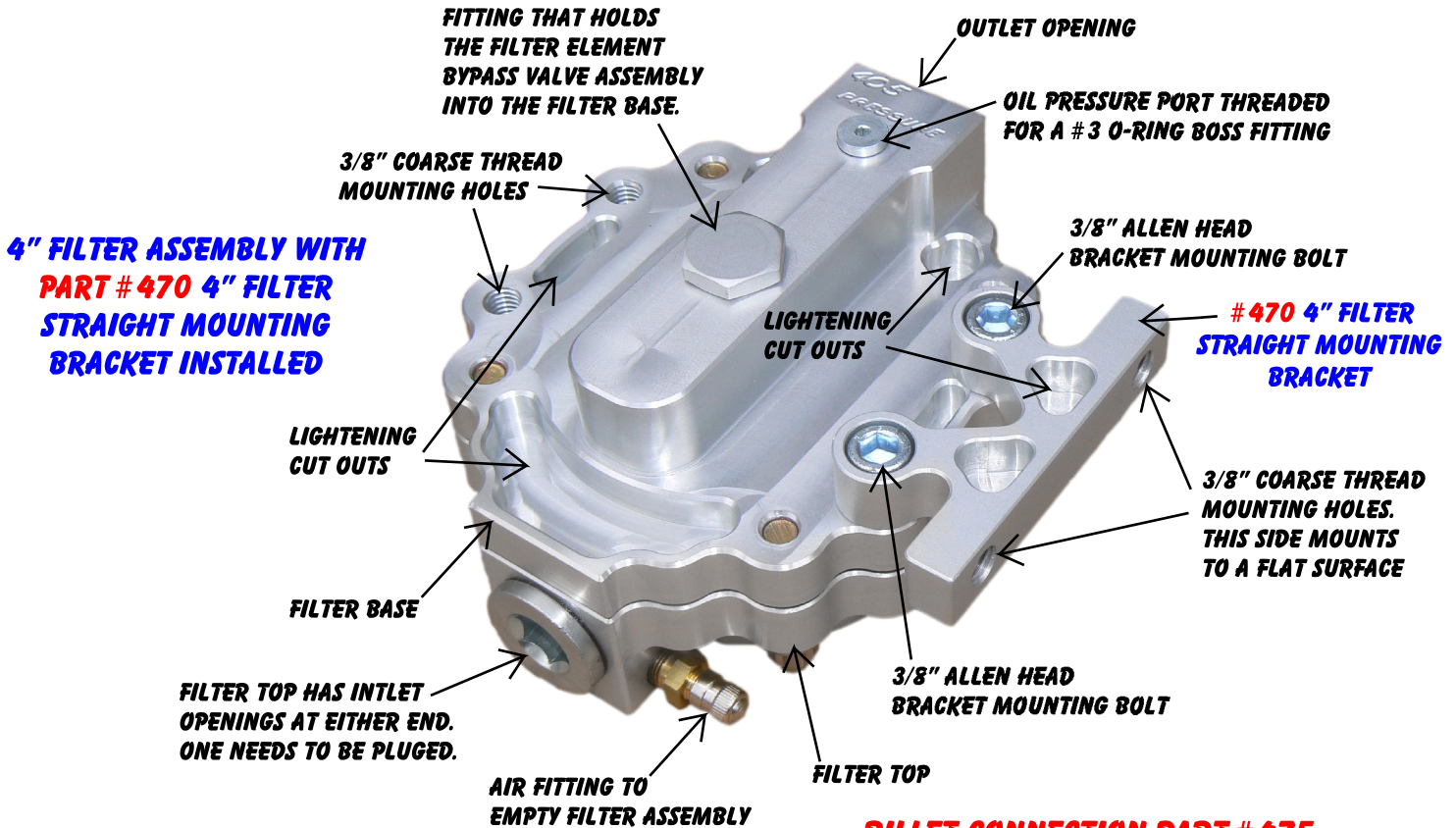


CLEAR VIEW FILTRATION 4" FILTER BRACKET KIT DIRECTIONS FOR PART #470 AND #475

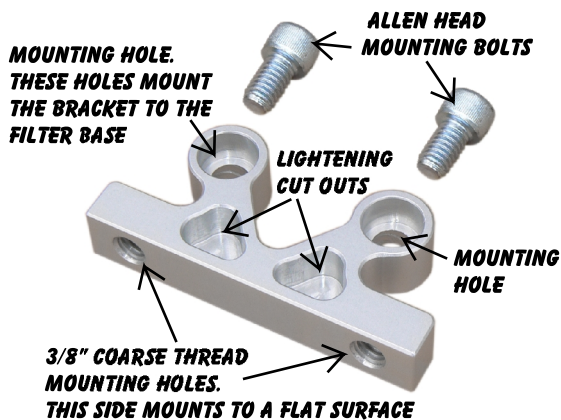
THE 4" FILTER ASSEMBLIES HAVE MOUNTING HOLES ON BOTH SIDES SO THE USER CAN MOUNT THE FILTER ASSEMBLY WITH THE OUTLET OPENING COMING OUT OF THE PREFERRED SIDE. THE FILTER TOP IS MACHINED WITH TWO INLET OPENINGS AT EITHER END SO EITHER INLET CAN BE USED. THE INLET OPENING THAT IS NOT BEING USED NEEDS TO BE PLUGGED.

*****A MOUNTING BRACKET IS SUPPLIED WITH EACH FILTER. THE BRACKET IS INSTALLED BUT THE BOLTS ARE NOT TIGHT!! YOU MUST TIGHTEN MOUNTING BRACKET BOLTS BEFORE THE INSTALL AND USE OF THE FILTER ASSEMBLY.*****
 THE MOUNTING HOLES IN THE BRACKET THAT BOLT TO A FLAT SURFACE, ARE 2.600" APART AND ARE THREADED TO 3/8" COARSE THREAD. CAN ALSO USE A 5/16" BOLT WITH A NUT, GO THROUGH THE 3/8" THREADED HOLE TO MOUNT TO A FLAT SURFACE.

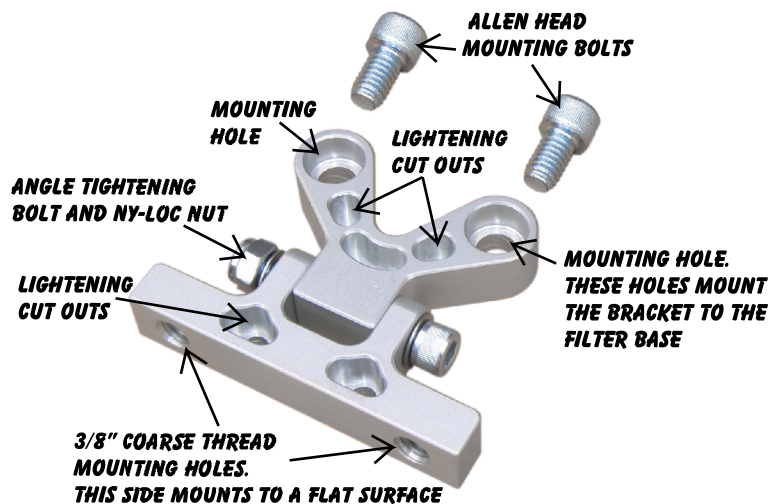
THESE BRACKET KITS WORK ON ALL 4" SEE THROUGH FILTER ASSEMBLIES.



BILLET CONNECTION PART #470
 4" FILTER STRAIGHT MOUNTING BRACKET.
 MOUNTS THE FILTER ASSEMBLY TO A 90 DEGREE VERTICAL FLAT SURFACE, SO THE FILTER TOP IS LEVEL.



BILLET CONNECTION PART #475
 4" FILTER ANGLE MOUNTING BRACKET. MOUNTS THE FILTER ASSEMBLY TO A FLAT SURFACE. THE ANGLE BRACKET SWIVELS 180 DEGREES, SO IT CAN BE MOUNTED TO ANY FLAT SURFACE VERTICAL OR HORIZONTAL AND EVERY ANGLE IN BETWEEN, SO THE FILTER TOP IS LEVEL.



MORE @ WWW.CLEARVIEWFILTRATION.COM - OR - CALL @ 509-467-7584