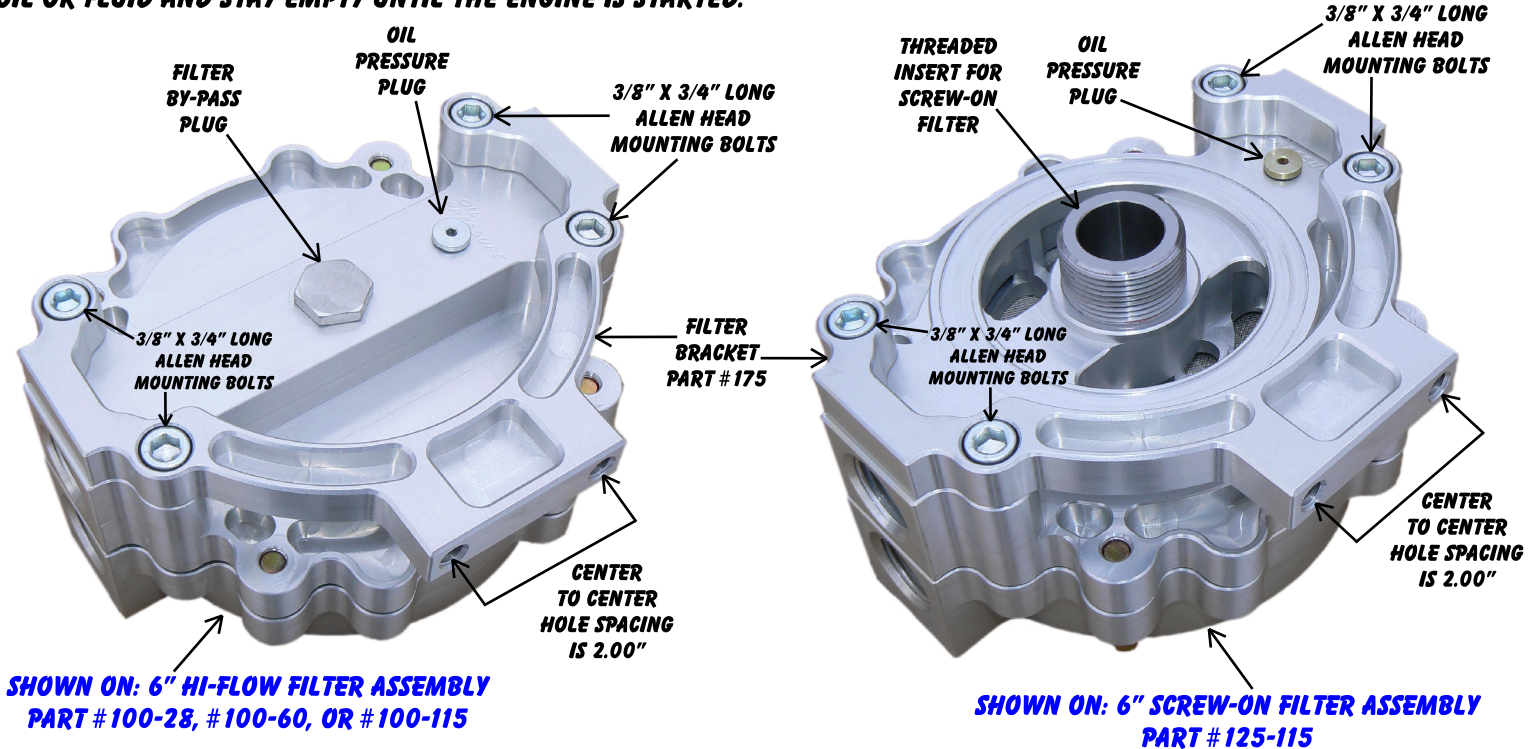


CLEAR VIEW FILTRATION PART # 175 6" HI-FLOW AND SCREW-ON FILTER BRACKET KIT DIRECTIONS
MORE PRODUCTS AND INFORMATION AT: WWW.CLEARVIEWFILTRATION.COM

*****A MOUNTING BRACKET IS SUPPLIED WITH EACH FILTER. THE BRACKET IS INSTALLED BUT THE BOLTS ARE NOT TIGHT!! YOU MUST TIGHTEN MOUNTING BRACKET BOLTS BEFORE THE INSTALL AND USE OF THE FILTER ASSEMBLY.*****

THIS BRACKET KIT IS DESIGNED SO THE MOUNTING BRACKET CAN BE MOUNTED, SO THE MOUNTING HOLES FACE OUT EITHER SIDE OF THE FILTER ASSEMBLY. DEPENDING ON WHERE THE USER WANTS THE INLET AND OUTLET OPENINGS FACING AND WHERE THE AIR FITTING IS EASILY REACHED. IT IS IMPORTANT THE FILTER ASSEMBLY IS MOUNTED SO THE SUPPLY AND RETURN LINES DO NOT RUN DOWN HILL TO THE FILTER ASSEMBLY. THIS IS SO WHEN THE FILTER ASSEMBLY IS EMPTIED, THE OIL DOES NOT RUN BACK INTO THE FILTER ASSEMBLY BECAUSE IT IS LOWER THAN THE SUPPLY HOSES. THE FILTER SHOULD BE MOUNTED SO THE SUPPLY LINES ARE LEVEL OR GOING UP SLIGHTLY TO THE FILTER ASSEMBLY. THIS WILL ALLOW THE FILTER TO BE EMPTIED OF OIL OR FLUID AND STAY EMPTY UNTIL THE ENGINE IS STARTED.



IMPORTANT!! READ BEFORE INSTALLING!!

STEP 1 - AFTER DECIDING WHICH SIDE OF THE FILTER ASSEMBLY THE MOUNTING FLANGE WILL FACE, BOLT THE FILTER BRACKET TO THE BOTTOM OF THE FILTER BASE, USING THE FOUR 3/8" X 3/4" ALLEN HEAD BOLTS THAT ARE SUPPLIED IN THE KIT. USE A LITTLE BLUE LOCK TIGHT ON THE THREADS OF THE BOLTS AND TIGHTEN.

STEP 2 - THE MOUNTING FLANGE'S CENTER TO CENTER OF THE MOUNTING HOLES IS 2.00" APART. THEY ARE THREADED FOR A 3/8" COARSE THREAD OR 16 THREADS PER INCH BOLT. IF THERE ARE ALREADY MOUNTING HOLES FROM A PREVIOUS FILTER ASSEMBLY THAT YOU ARE TRYING TO MOUNT THIS FILTER ASSEMBLY TO. WE MAY MAKE A ADAPTING BRACKETS THAT WILL BOLT TO THE MOUNTING FLANGE OF OUR BRACKET KIT PART # 175 TO ADAPT OUR FILTER TO OTHER MANUFACTURES FILTERS MOUNTING HOLES. CALL OR CHECK OUR WEB SITE TO SEE IF WE MAKE WHAT YOU NEED. WE ALSO CAN CUSTOM MAKE A MOUNTING BRACKET FOR YOUR APPLICATION.

STEP 3 - HOLD THE FILTER ASSEMBLY WITH BRACKET INSTALLED WHERE THE DESIRED MOUNTING LOCATION IS AND MAKE SURE THE TOP OF THE FILTER ASSEMBLY IS LEVEL AND MARK WHERE THE CENTER OF THE 3/8" MOUNTING HOLES ARE IN THE BRACKET, ONTO THE FLAT SURFACE THE FILTER ASSEMBLY IS BEING MOUNTED TO. THE CENTER TO CENTER SPACING FOR THE MOUNTING HOLES IS 2.00" APART. THEN DRILL 13/32" HOLES WHICH ARE SLIGHTLY LARGER THAN 3/8" THROUGH THE MOUNTING SURFACE.

STEP 4 - YOU WILL NEED 3/8" COARSE THREAD MOUNTING BOLTS OR MOUNTING STUDS FOR THE FILTER BRACKET. IF YOU GET AN ADAPTING BRACKET KIT FOR THE # 175 BRACKET KIT, THEN THAT KIT WILL HAVE THE TWO ALLEN HEAD BOLTS TO MOUNT THE ADAPTING BRACKET TO THE STRAIGHT BRACKET SHOWN ABOVE AND COMES IN BRACKET KIT PART # 175.

MORE @ WWW.CLEARVIEWFILTRATION.COM - OR - CALL @ 509-467-7584